

LAZER

HIGH PERFORMANCE LIGHTING

ST2 Evolution



Now available as an ECE approved road-legal driving light, the ST2 Evolution is our smallest spotlight but still manages to deliver a noticeable upgrade when compared to standard vehicle high beam lighting. With useable light (0.25lux) extending to nearly 400m, size is no barrier to performance, and at a mere 124mm in length the ST2 becomes the obvious choice when space is at a premium, or for complimenting other forward-facing lighting solutions, where the lamps may be angled to achieve an overall greater spread of light.



HIGH PERFORMANCE LED DRIVING LAMPS

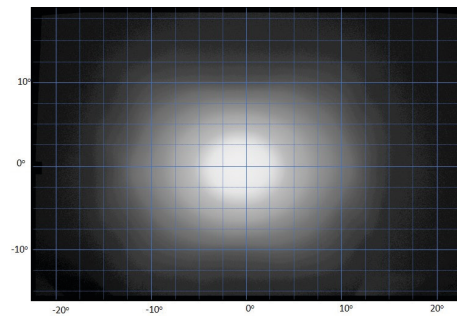
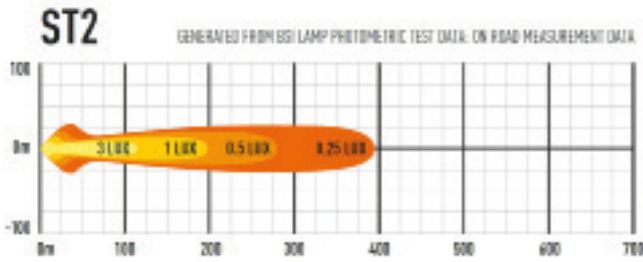


LAZER

HIGH PERFORMANCE LIGHTING

ST2 EVOLUTION

- 2x high density 11W LEDs (premium 'bin')
- Fully ECE approved for on-road use
- Supplied with 3mm folded aluminium U-shaped bracket
- Dynamic drive modulation optimises light output to maximise LED lifetime
- Ultra-reflective optics deliver 'Drive' beam pattern
- E-coat pre-treatment provides maximum corrosion resistance



Horizontal: 28°
Vertical: 24°
(2% of peak)

TECHNICAL SPECIFICATIONS



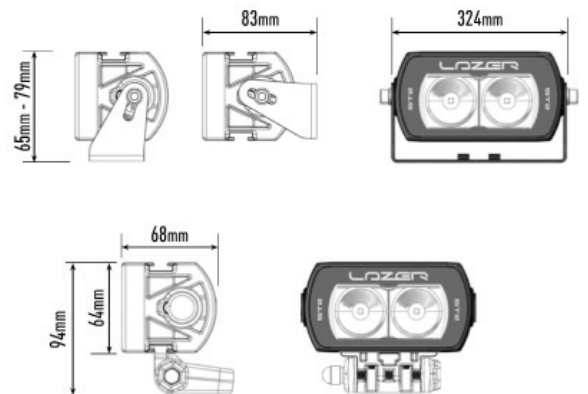
E-MARK REF	7.5
VOLTAGE RANGE	9V - 32V
RAW LUMENS	2068
BEAM PATTERN	Drive
BEAM DISTANCE (0.25LX)	393m
# HIGH POWER LEDS	2
POWER CONSUMPTION	23 Watts
CURRENT DRAW [†]	1.6 Amps
LED LIFE	50,000 Hrs*
WEIGHT	430g

* LED Manufacturers Specifications †At 14.4 Volts

MOUNTING OPTIONS:



(Side Bracket kit sold separately)



LAZER LAMPS LTD

Units 1+2, Harlow Mill Business Centre, Riverway, Harlow, Essex. CM20 2FD. UK

Tel: +44(0)1992 677374

Email: sales@lazerlamps.com

www.lazerlamps.com

LAZER

HIGH PERFORMANCE LIGHTING

